



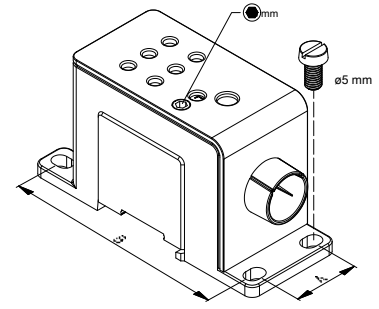
PDB +



Power Distribution - Finger-safe and individually adjustable

PDB +

Innovative and shapely. With the new single-pole compact distributor of FTG engineering excellence meets modern design! Many new innovative refinements and thoughtful details like color marking plates for N, PE, etc., individual phase identification and practical Arretierungsclips for DIN rail mounting you expect and facilitate the work of the cabinet.



- integrated adjustable phase identification
- interchangeable markings for N, PE, DC + etc.
- Finger Security (IP 20) guaranteed by barrier at any cross section
- easy stacking, by connecting clip
- Secure mounting on a DIN rail by means of locking slide
- suitable for aluminum and copper cables

Technical specifications

standard	IEC 60947-7-1 UL Listed to 1953 file QPQS - E483207
maximum operating voltage	1000 V AC / 1500 V DC - IEC 1000 V AC / DC - UL
material	Aluminum plated,
Color housing	light gray / dark gray

Short circuit resistance

Item No.	38680	38682	38684	38686	38688
The PDB + devices have been tested for high short-circuit currents in accordance with IEC. They have a 100 kA SCCR rating with specific overcurrent protective device.					
I_{cw}	3000 A	6000 A	8400 A	14,400 A	28.800 A
I_{pk}	35 kA	36.1 kA	40.8 kA	47.7 kA	57.2 kA
SCCR	100 kA	100 kA	100 kA	100 kA	100 kA



38680



38682



38684



38686



38688

Item No.	In (A)	Diameter (mm)	Cross section (mm ²)		A (mm)	B (mm)
						
38680	A 80 Cu	1 x 10.5	2.5 mm ² - 25 mm ² 14 AWG - 3 AWG	2.5 mm ² - 25 mm ² 14 AWG - 3 AWG	23.2	79.2
38680C *	63 A Al	6 x 4.4	2.5 mm ² - 10 mm ² 14 AWG - 8 AWG	1.5 mm ² - 6 mm ² 14 AWG - 10 AWG		
38682	Cu 125 A	1 x 10.5	2.5 mm ² - 50 mm ² 14 AWG - 1 AWG	2.5 mm ² - 35 mm ² 14 AWG - 2 AWG	23.2	79.2
38682C *	100 A Al	6 x 7.0	2.5 mm ² - 25 mm ² 14 AWG - 4 AWG	2.5 mm ² - 16 mm ² 14 AWG - 6 AWG		
38684	A 175 Cu	1 x 12.5	2.5 mm ² - 70 mm ² 14 AWG - 2/0 AWG	2.5 mm ² - 50 mm ² 14 AWG - 1/0 AWG	23.2	88.7
38684C *	135 A Al	4 x 8.5	2.5 mm ² - 35 mm ² 14 AWG - 2 AWG	2.5 mm ² - 25 mm ² 14 AWG - 4 AWG		
38686	Cu 250 A	1 x 16.5	35 mm - 120 mm 2 AWG - 250 kcmil	35 mm ² - 95 mm ² 2 AWG - 4/0 AWG	41.2	103.7
38686C *	200 A Al	6 x 8.5	2.5 mm ² - 35 mm ² 14 AWG - 2 AWG	2.5 mm ² - 25 mm ² 14 AWG - 4 AWG		
38688	415 A 360 A	1 x 22.5	70 mm - 240 mm 2/0 AWG - 500 kcmil	70 mm - 185 mm 2/0 AWG - 400 kcmil	41.2	103.7
38688C *	Cu Al	6 x 8.5	2.5 mm ² - 35 mm ² 14 AWG - 2 AWG	2.5 mm ² - 25 mm ² 14 AWG - 4 AWG		

* The numbers C marking plates are included in blue, red and green in the delivery.



marking plates

Item No.	description
C38BL	10 x mark plate blue
C38RT	10 x mark plate red
C38GN	10 x mark plate green



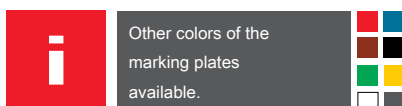
38682 + C38BL

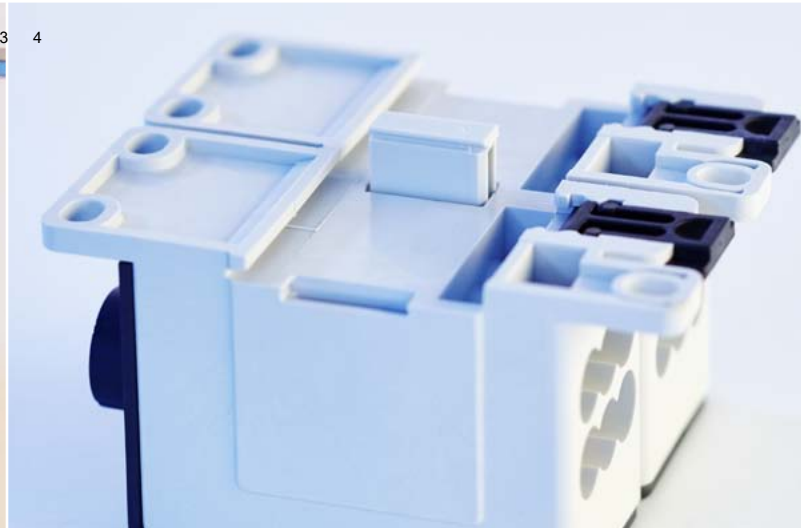
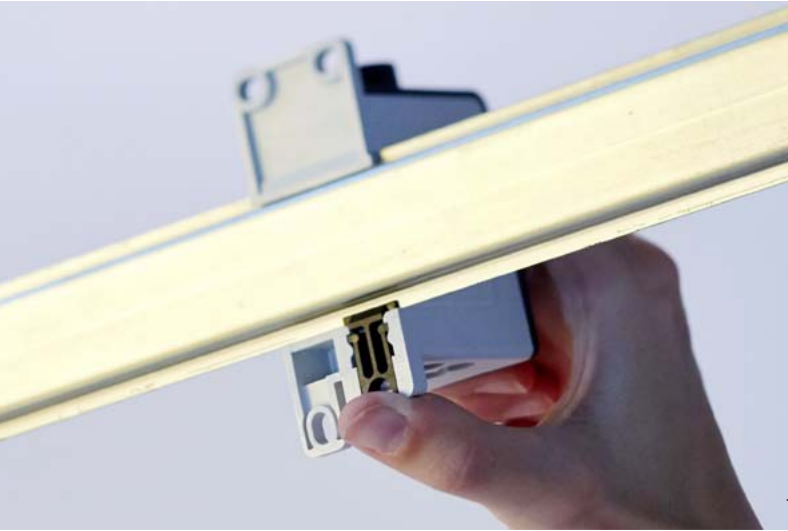


38680 + C38RT



38684 + C38GN





1 Secure mounting on DIN rail by latching slide | 2 finger safety (IP 20) ensures protection tab for each cross-section | 3 integrated, adjustable phase identification 4 simple baying by connecting clips

FTG - Friedrich Göhringer
Electronics GmbH Gerwigstr. 8th

DE-78098 Triberg
Germany
Phone +49 (0) 7722 96 36 0 Fax
+49 (0) 7722 96 36 36
www.ftg-germany.de

